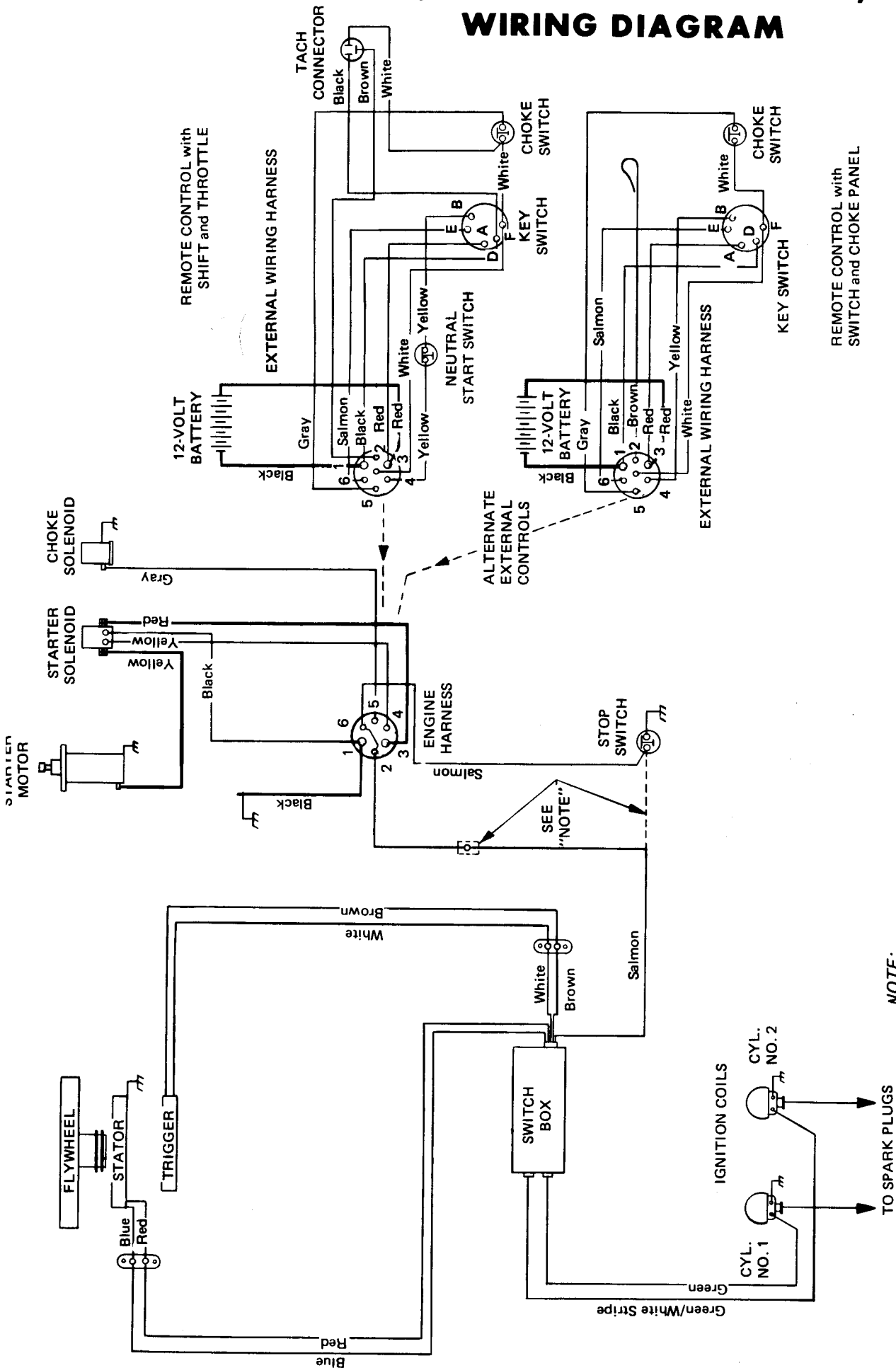


MERC 200 (BREAKER-LESS IGNITION)

WIRING DIAGRAM



NOTE:
 When Electric Start Kit Is Installed, Disconnect Salmon Lead from Stop Switch and Remove Boot from End of Lead. Install Neoprene Sleeve over End of Lead and Connect Lead to Short Salmon Lead in Engine Harness With Screw and Nut Provided. Slip Neoprene Sleeve over Connection. Connect the Long Salmon Lead with Boot in Harness to Stop Switch.