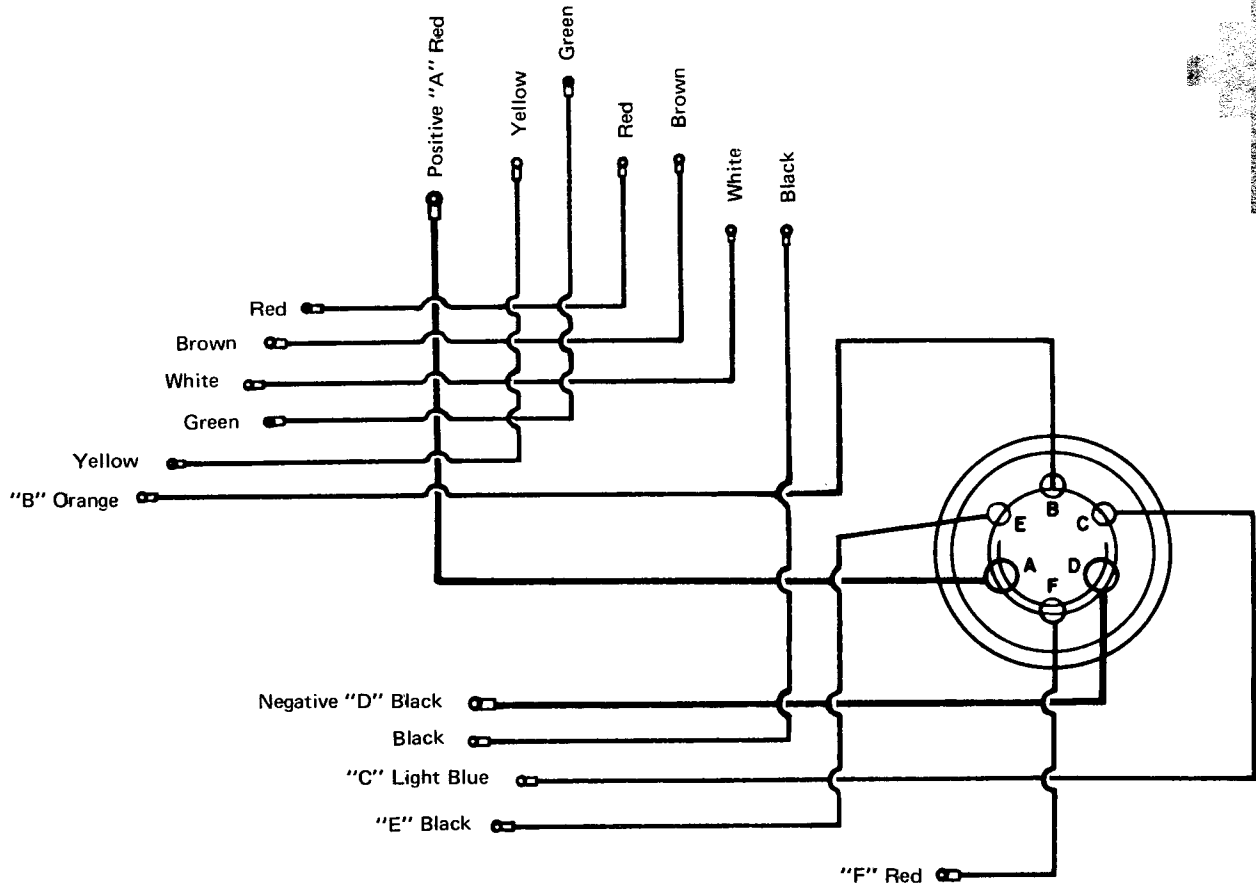


INTERNAL HARNESS - MERC 800-700-600 (DIRECT REVERSING)

5



INTERNAL HARNESS - MARK 78A-75A

